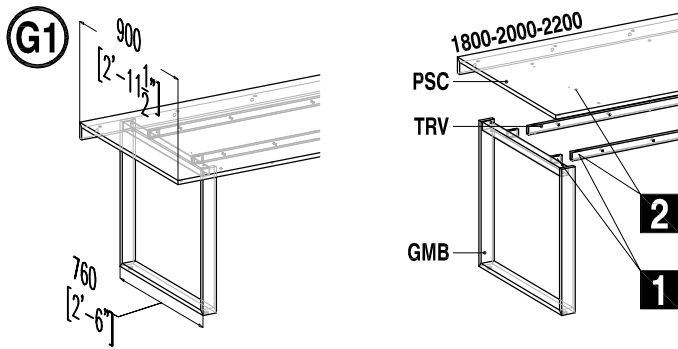
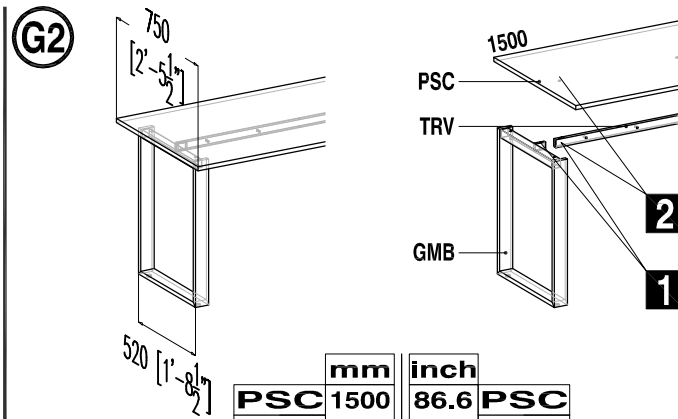


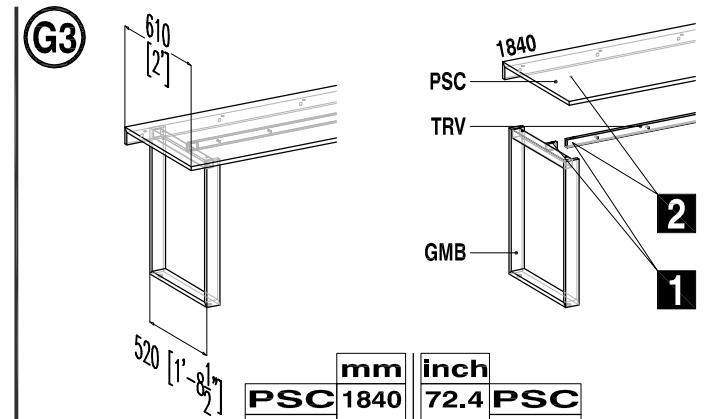
# ESSENCE: MONTAGE DU BUREAU



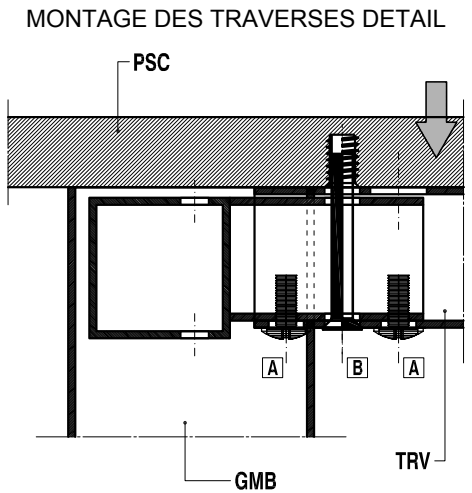
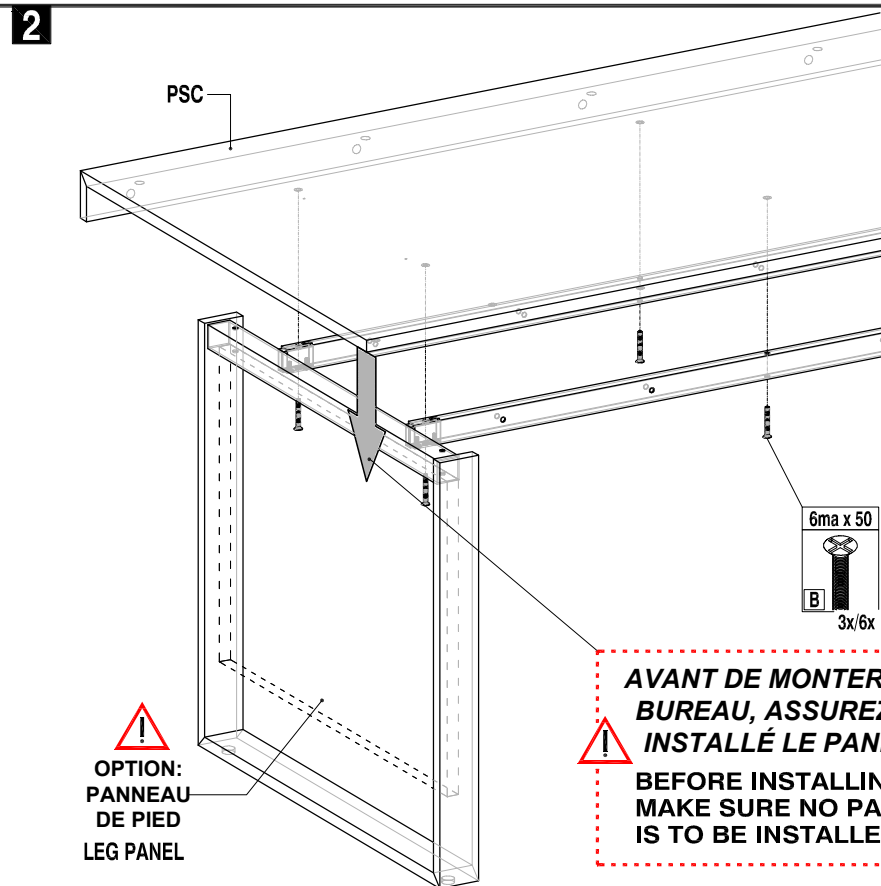
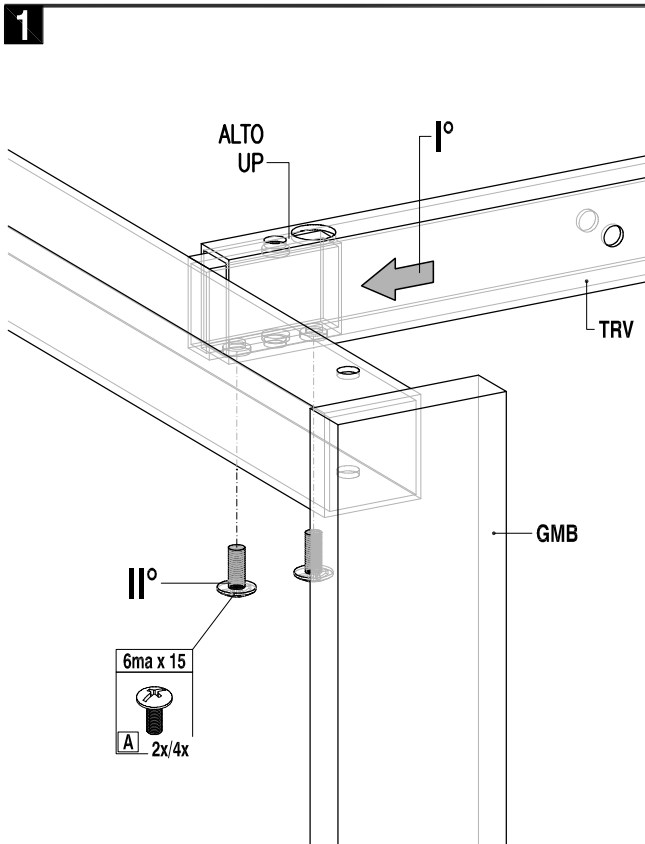
	mm			Inch			
<b>PSC</b>	1800	2000	2200	70.9	78.7	86.6	<b>PSC</b>
<b>TRV</b>	1290	1490	1690	50.8	58.7	66.5	<b>TRV</b>



	mm		inch		
<b>PSC</b>	1500		86.6		<b>PSC</b>
<b>TRV</b>	1290		66.5		<b>TRV</b>



	mm		inch		
<b>PSC</b>	1840		72.4		<b>PSC</b>
<b>TRV</b>	1490		58.7		<b>TRV</b>



**AVANT DE MONTER LE PLATEAU DU BUREAU, ASSUREZ-VOUS D'AVOIR INSTALLÉ LE PANNEAU DE PIED !**  
**BEFORE INSTALLING THE DESK TOP, MAKE SURE NO PANEL IS TO BE INSTALLED ON THE LEG.**